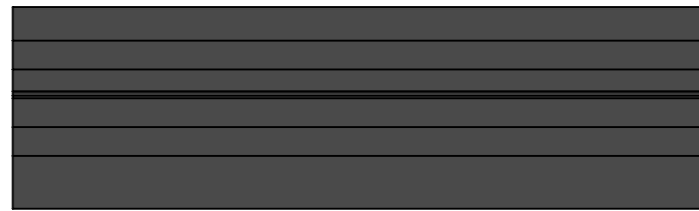


## UNMITERED SMARTVENT



BOTTOM VIEW

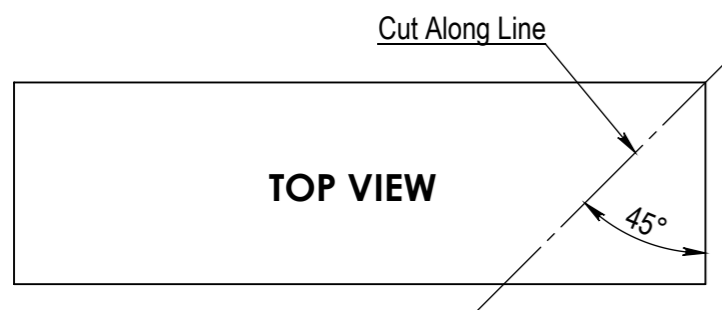


SIDE VIEW

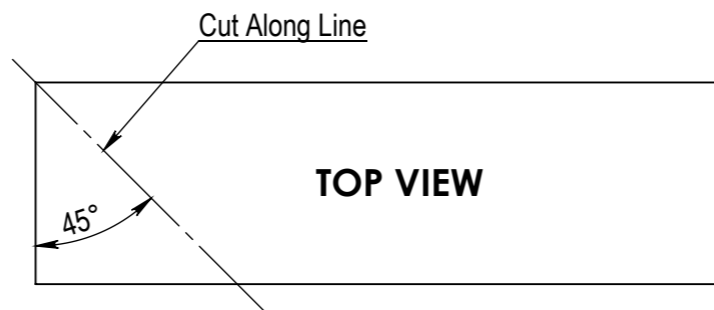


TOP VIEW

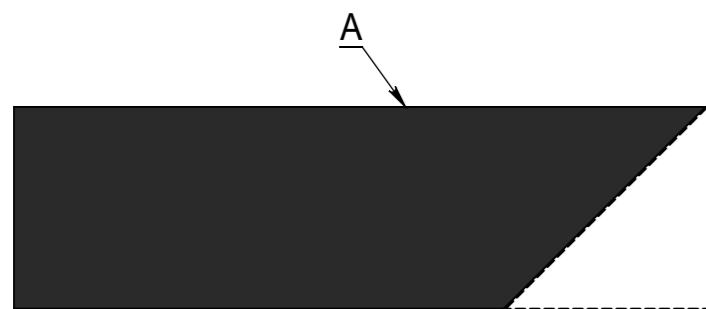
## HOW TO MITER SMARTVENT TO FORM A 90 DEGREE ANGLE



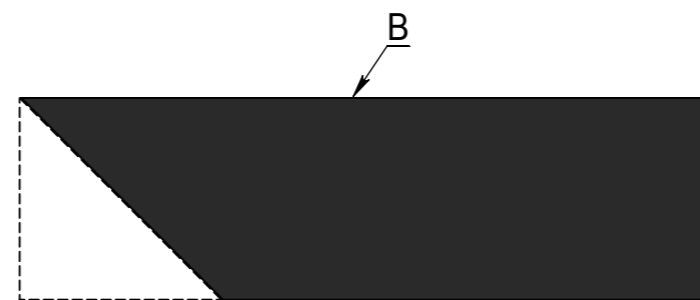
TOP VIEW



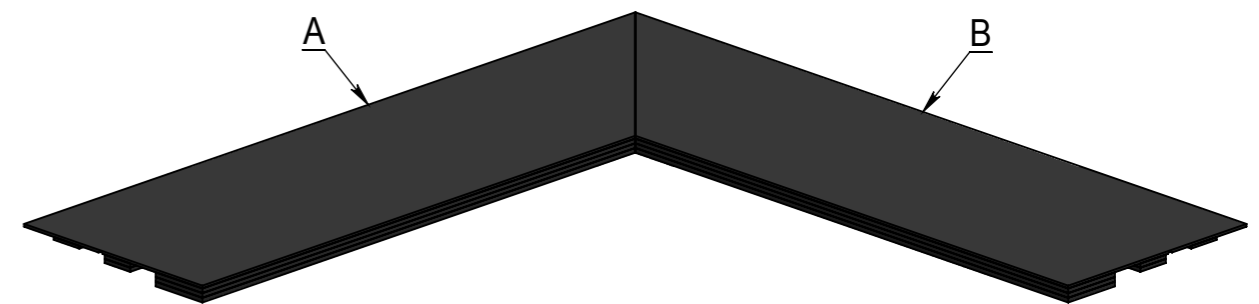
TOP VIEW



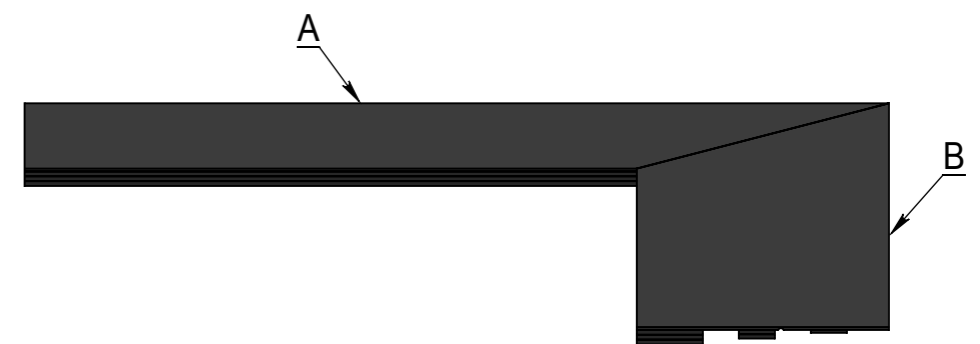
MITERED RIGHT



MITERED LEFT



ASSEMBLY (VIEW 1)



ASSEMBLY (VIEW 2)

MODEL NAME	<b>HOW TO MITER SMARTVENT</b>			NOTES:	- ALL DIMENSIONS ARE IMPERIAL UNITS.	
DESIGNED	DCIP	-	MATERIAL	-		
DRAWN	RMG	14 JUNE 12	QUANTITY	1		
CHECKED	DCIP	-	SCALE	1:20	REV	△ Initial release.
APPROVED	DCIP	-	PROJECTION	⊕	△	
<b>SMARTTCADD</b> <a href="https://www.elance.com/s/ronaldgonzales/">https://www.elance.com/s/ronaldgonzales/</a>			CLIENT: <b>DCI PRODUCTS</b>		△	
					SHEET	A3