

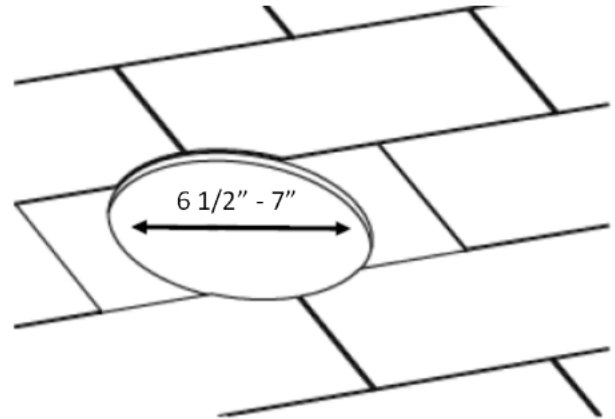
MUST REMOVE SCREEN FOR DRYER APPLICATION FOR SLOPED ROOFTOP USE ONLY

1. Remove tape from the underside of the vent before installation.



REMOVE

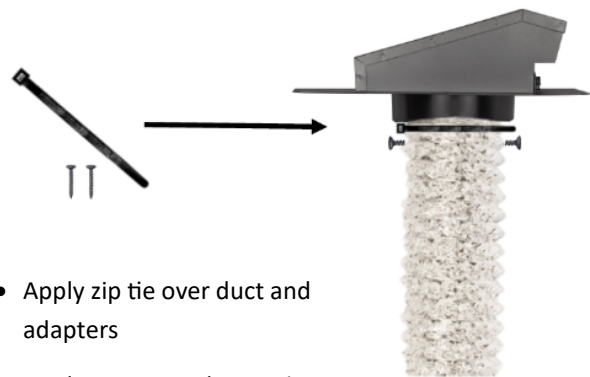
2. Cut a hole with a diameter 6 1/2" to 7".



3. Determine which adapters to use. The adapter should match the diameter of the duct. Each adapter snaps and locks into the other. For 3" application, use all three adapters. For 4", use the 6" and the 4" adapters. For 6", use only the 6" adapter. Do not use SnapCap for applications larger than 6".



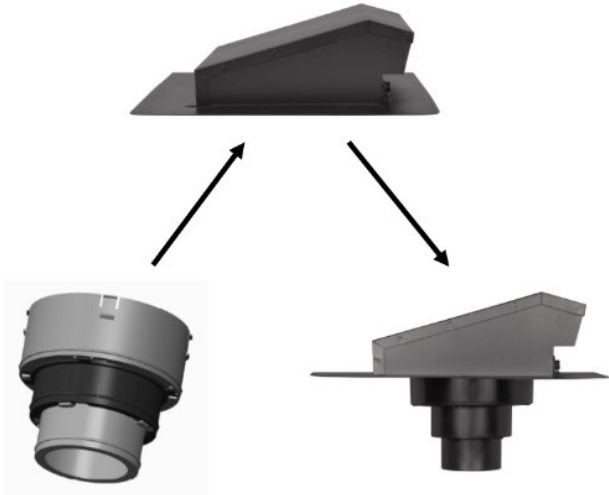
4. Attach the duct to the adapters using the provided zip tie, screws, and/or duct tape.



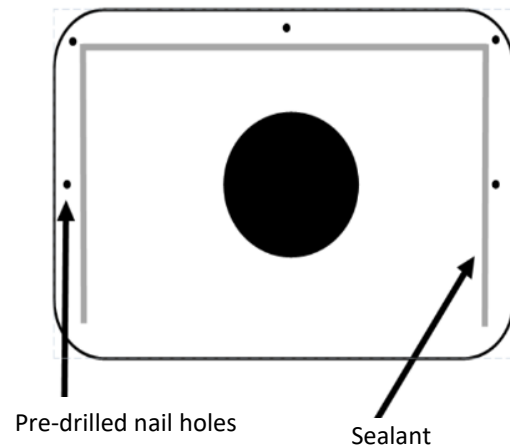
- Apply zip tie over duct and adapters
- Apply screws under zip tie
- Apply duct tape to duct connections to ensure no exhaust air leaks into the attic

5. Snap the adapter and duct into the bottom side of the vent. Be sure the 4 tabs on the adapter align with the corresponding slots on the vent.

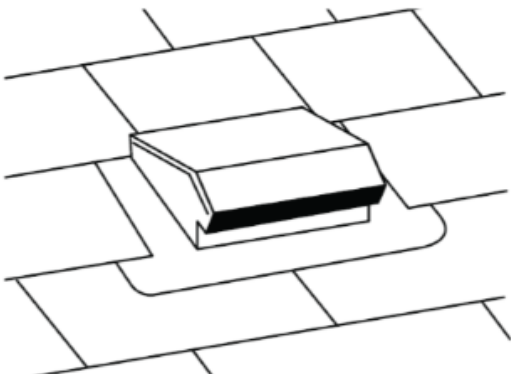
- This step may be done now or after the vent cap has been secured to the roof.



6. Caulk the underside of the vent flange for added leak protection.



7. Align the vent over the opening. Place the upper flange underneath the shingles and the lower flange over the shingles. Trim shingles around the vent as needed.



8. Apply nails to secure the SnapCap to the roof. Use caulk or roof cement to seal nail heads and shingles to the top and sides of the vent.

