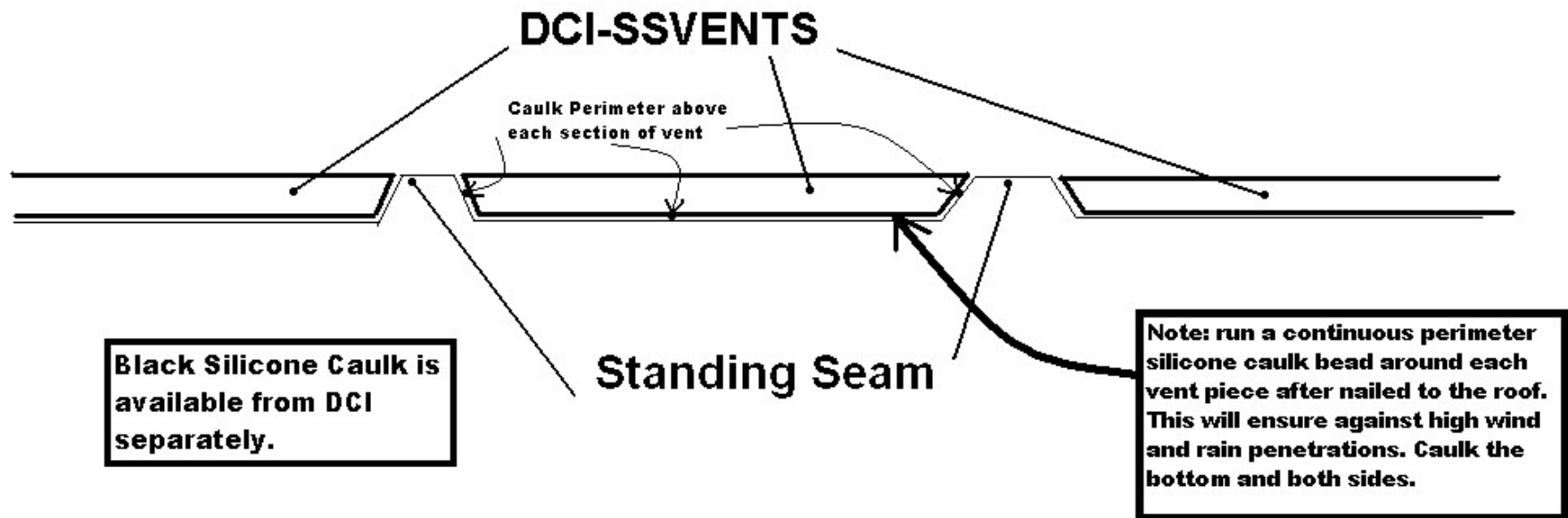


Standing Seam Metal Roof Exhaust Ventilation

DCI-SSVents install between the lift edges in the standing seam. The DCI-SSVents are available in different thicknesses. (Note: Fabric is installed facing the outside of the ridge vent)



Note: Install capping metal over DCI-SSVENTS that complement the standing seam roof metal. For added ventilation, install SmartRidge II over the DCI-SSVent with external edges of the SmartRidge flush or extending beyond the lower DCI-SSVent.

DCI Products
800-622-4455

DCI-SSVENTS are made to fit metal roof manufacturer's specs. Rough lengths of 36" are available for on the job cutting. Call for pricing, sizing of your job and technical questions. Thank you.