



EVALUATION REPORT

FLORIDA BUILDING CODE, 7TH EDITION (2020)

Manufacturer: DCI PRODUCTS
415 S. Penn Street
Clifton Heights, PA 19018
(800) 622-4455
www.dciproducts.com

Issued April 17, 2023

Manufacturing Plants: Clifton Heights, PA

Quality Assurance: Applied Testing and Geosciences (QUA8970)

SCOPE

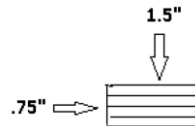
Category: Roofing
Subcategory: Roofing Accessories that are an Integral Part of the Roofing System
Code Sections: 1709.2
Properties: Roof Ventilation

REFERENCES

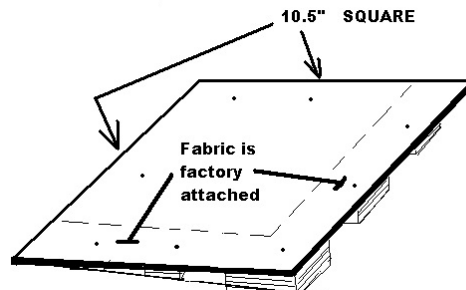
Entity	Report No.	Standard	Year
Architectural Testing (TST1558)	72462.01-109-44	ASTM E 330	2002
ICC Evaluation Service (EVL2396)	ESR-2484	AC132	2010
PRI Construction Materials Technologies (TST5878)	DCIP-001-02-01	ASTM D 635	2014
		ASTM D 1929	2016
PRI Construction Materials Technologies (TST5878)	DCIP-007-02-01	TAS 100(A)	1995

PRODUCT DESCRIPTION

StarterVent: 1.5-inch wide x 3/4-inch high x 36-inch long fascia vent consisting of corrugated polyethylene plastic and is classified as CC2 plastic under FBC section 2606.4.



SmartVent Tapered End Cap: 10.5-inch x 10.5-inch square, end cap vent that tapers from 0.75-inch to 0.125-inch consisting of corrugated polyethylene plastic and is classified as CC2 plastic under FBC section 2606.4.





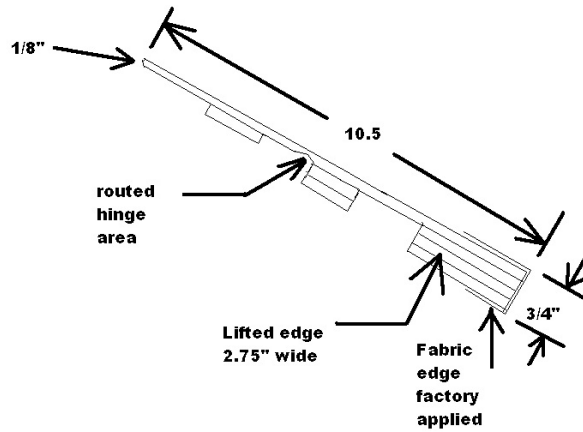
CREEK

TECHNICAL SERVICES, LLC

DCI PRODUCTS
Roof Ventilation

SmartVent:

10.5-inch x 36-inch under shingle attic vent that tapers from 0.75-inch to 0.125-inch consisting of corrugated polyethylene plastic and is classified as CC2 plastic under FBC section 2606.4.





PRODUCT APPLICATION

The roof deck shall be clean, dry, and free of debris prior to commencing installation. All sheathing irregularities and deficiencies, and all protruding fasteners shall be corrected prior to installation. All existing roofing shall be removed prior to installation.

Refer to page 4 for a schematic of the installation.

Roof Deck: Roof deck shall be constructed of minimum 15/32" plywood sheathing for new or existing construction having no more 1/8-inch gap at abutting sheathing joints. Roof deck shall be designed and installed by others in accordance with FBC requirements.

Roof slope: The SmartVent shall be installed on a minimum 2:12 slope. This product affects the slope of the underlayment and shingles when installed over the SmartVent. The installed underlayment and shingles over the SmartVent shall comply with the minimum slope as required by the FBC and manufacturer's requirements, or whichever is more stringent.

Installation Height: Maximum 33-ft

Attachment Method: A continuous 1-inch wide slot, located 12-inch in from the rake edges and 6-inch up from eave edge shall be cut into the roof deck.

An 8-inch strip of *approved* ASTM D1970 underlayment shall be adhered to the deck in front of the cut slot with underlayment wrapped around and extending down the fascia 2-inch from the eave. The underlayment strip shall extend past the ends of the cut slot by 6-inches.

16-inch x 12-inch pieces of *approved* ASTM D1970 underlayment shall be adhered to the deck at the sides of the cut slot along the rake edge and lapping the strip installed along the eave.

The StarterVent shall be installed flush with the top of fascia board using minimum 12 ga. X 1.5-inch ring shank nails spaced 6-inch o.c. along the centerline of StarterVent.

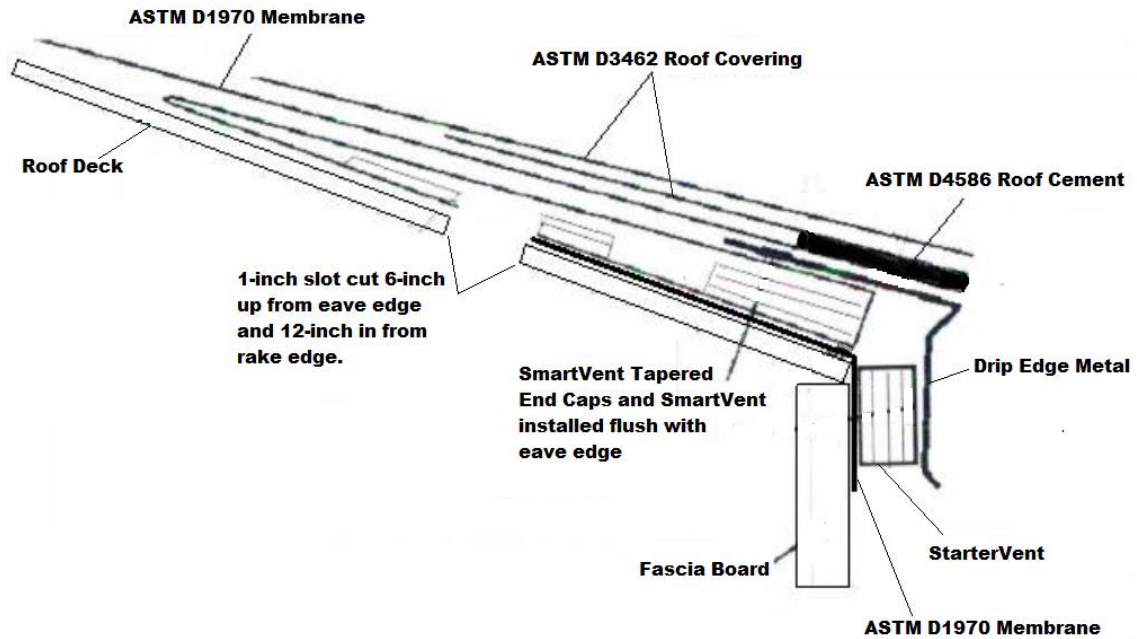
The SmartVent Tapered End Caps and SmartVent shall be installed flush with the eave edge using minimum 12 ga. x 1.5-inch ring shank nails located 2-inch in from each ends and 12-inch o.c. along the "nail line" and 1.5-inches down from top of vent.

Minimum 26 ga. steel drip edge having a minimum 2.75-inch vertical face and 3-inch flange shall be installed over the SmartVent and StarterVent along the eave edge. The drip edge shall be secured to the deck with minimum 12 ga. x 1.5-inch ring shank nails located 1-inch from the edge of the flange and 4-inch o.c. along the eave. The drip edge shall comply with FBC section 1503.2.

Underlayment: *Approved* ASTM D1970 underlayment shall be installed as *approved*, starting at the eave over the drip edge.

Roofing Covering: *Approved* ASTM D3462 shingles shall be installed over the SmartVent. Shingles installed over the SmartVent shall utilize the manufacturer's *approved* 6-nail per shingle pattern with minimum 12 ga. x 1.5-inch ring shank nails. The starter course shall be placed in a bed of *approved* ASTM D4586 roof cement and utilize a 6-nail per shingle pattern with minimum 12 ga. x 1.5-inch ring shank nails according to the manufacturer's *approved* installation instructions. Use with hip and ridge shingles is not permitted.

Basic Wind Speed: Maximum 194 mph in exposures B and C only. Excludes installations on overhangs and where the topographic factor, K_{zt} , is determined to be greater than 1.00 as defined in ASCE 7-16. Basic wind speeds shall be as defined in FBC Figure 1609.3(1), (2), (3), (4) or ASCE 7-16.





LIMITATIONS

- 1) This report is not for use in the HVHZ.
- 2) Fire Classification is outside the scope of this evaluation.
- 3) The roof deck and deck attachment shall be designed by others in accordance with the FBC.
- 4) Deck substrates shall be clean, dry, and free from any irregularities and debris. All fasteners in the deck shall be checked for protrusion prior to installation.
- 5) Installation of the roof assembly is outside the scope of this evaluation.
- 6) Roof vents shall be installed in strict compliance with this evaluation report and the manufacturer's published installation instructions. In the event of conflict, the more restrictive installation shall be enforced.
- 7) Roof vents are intended to provide passive ventilation for an enclosed attic in residential construction applications.
- 8) All products listed in this report shall be manufactured under a quality assurance program in compliance with Rule 61G20-3.

COMPLIANCE STATEMENT

The products evaluated herein by Zachary R. Priest, P.E. have demonstrated compliance with the Florida Building Code, 7th Edition (2020) as evidenced in the referenced documents submitted by the named manufacturer.



This item has been digitally signed and sealed by Zachary R. Priest, PE, on 4/17/2023.

Printed copies of this document are not considered signed and sealed and the signature must be verified on any electronic copies.

Zachary R. Priest, P.E.
 Florida Registration No. 74021
 Organization No. ANE9641

CERTIFICATION OF INDEPENDENCE

CREEK Technical Services, LLC does not have, nor will it acquire, a financial interest in any company manufacturing or distributing products under this evaluation.

CREEK Technical Services, LLC is not owned, operated, or controlled by any company manufacturing or distributing products under this evaluation.

Zachary R. Priest, P.E. does not have, nor will acquire, a financial interest in any company manufacturing or distributing products under this evaluation.

Zachary R. Priest, P.E. does not have, nor will acquire, a financial interest in any other entity involved in the approval process of the product.

END OF REPORT